

SINGLE ACTING PNEUMATIC ANGLE SEAT VALVE



CREATIVE • INNOVATION • PROCESS



SKU:0080



Scan me

SINGLE ACTING PNEUMATIC ANGLE SEAT VALVE

Description

The Angle Seat Valve is a 2/2-way pneumatically actuated piston valve for liquids, gases, steam and some aggressive fluids (vacuum services also.) The superior design of the piston is unique to the market, enabling the plug to retract farther from the flow path, ensuring the highest flow capacity. The dual packing design, and a large diameter self aligning stem insures the highest cycle life. A full range of accessory items are available including limit switches, solenoid valves, manual override devices, stroke limiters.

Features

- High Cycle-Life
- Integrated pneumatic actuator
- Fast valve actuation
- High Cv (Flow Coefficient)
- Compact assembly
- Actuator head rotates 360°
- Visual indicator
- Robust seat & stem

Advantage

- Hygenic design, easy cleaning
- High temperature resistance
- Minimized dead leg design
- Optical position indicator
- Easy maintenance
- Good regulation properties
- Clean and smooth exterior for sterile washdowns

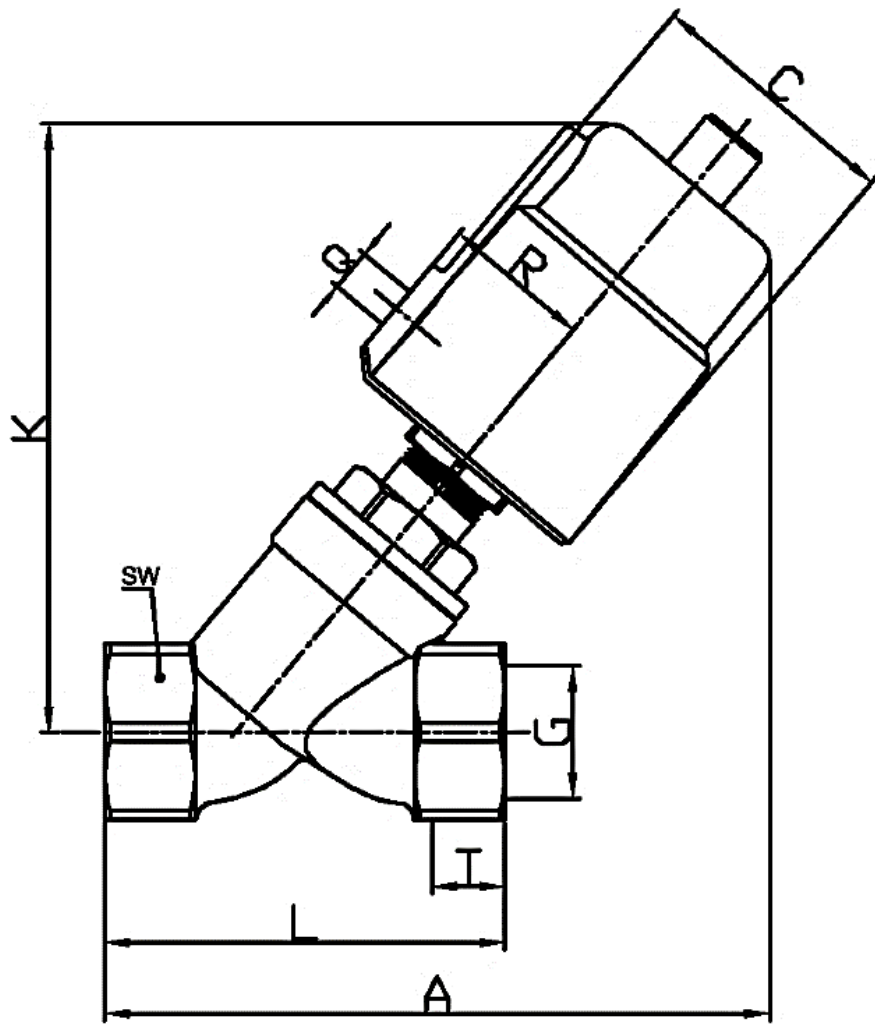
Application

- Food and Beverage Processing
- Water Technology & Treatment
- Textile Industry
- Cooling systems on injection molding machines
- Pharmaceutical & cosmetic industry
- Chemical Process technology
- Refrigeration & Cooling heat exchangers
- Sterilizers steam supply
- Water applications: Mining, Cement / Concrete Systems,
- Pulp & Paper
- General industrial applications of aggressive fluids
- Industrial Laundry Equipment
- Industrial Air Dryers

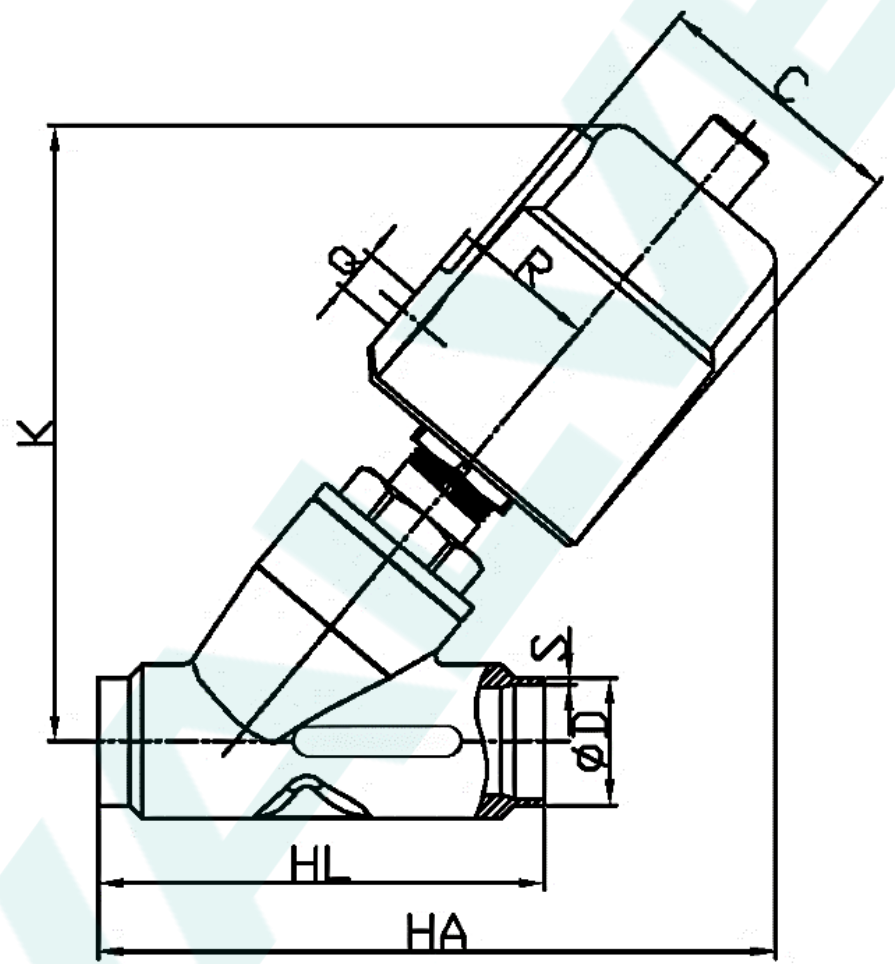
Construction

Valve body	AISI 316 Stainless Steel
Actuator Body Material	AISI 304 Stainless Steel
Seat Material	PTFE / PTFE-CF
Air Inlet/Supply Pressure	1/4" / 4-6 bar
Operating temperature	10...+220C
Pressure Class	PN 16

Dimensions



Threaded Connection



Welded Connection

Size	Actuator (mm)	Q	C	R	K	Threaded Connection					Welded Connection					
						G	T	A	L	SW	HA	HL	DIN11850-2		DIN11850-3	
													D	S	D	S
DN10	40	1/8"	50.5	27	112	3/8"	12	124	68	27		-	-	-	-	-
	50	1/8"	60	33	125			135					-	-	-	
DN15	40	1/8"	50.5	27	112	1/2"	15	124	68	27	118	70	19	1.5	20	2
	50	1/8"	60	33	125			135			128					
DN20	50	1/8"	60	33	132	3/4"	16	140	75	32	135	82	23	1.5	24	2
DN25	50	1/8"	60	33	136	1"	17	150	90	40	150	100	29	1.5	30	2
	63	1/8"	75	41	162			172			175					
	90AL	1/8"	112	57	210			215			216					
	90	1/8"	106	55	211			216			218					
DN32	63	1/8"	75	41	174	1 1/4"	21	190	116	50	186	125	35	1.5	36	2
	90AL	1/8"	112	57	220			230			232					
	90	1/8"	106	55	223			235			232					
DN40	63	1/8"	75	41	175	1 1/2"	21	190	116	56	190	130	41	1.5	42	2
	90AL	1/8"	112	55	220			230			235					
	90	1/8"	106	55	223			235			235					
DN50	63	1/8"	75	41	183	2"	22	205	138	69	206	155	53	1.5	54	2
	90AL	1/8"	112	57	232			245			247					
	90	1/8"	106	55	232			250			250					
	1 25AL	1/4"	170	85	300			305			307					
DN65	90AL	1/8"	112	57	262	2 1/2"	26	282	178	85	320	270	70	2	-	-
	90	1/8"	106	55	265			285			325				365	
	125AL	1/4"	170	85	315			327			365				-	-
DN65	90AL	1/8"	112	57	280	2 1/2"	26	270	178	85	315	270	70	2	-	-
	90	1/8"	106	55	280			275			320				-	-
	1 25AL	1/4"	170	85	330			320			360				-	-
	90AL	1/8"	112	57	280			275			320				-	-
DN80	125AL	1/4"	170	85	355	3"	27	340	210	100	360	284	85	2	-	-
DN80	125AL	1/4"	170	85	327			380			370				284	85